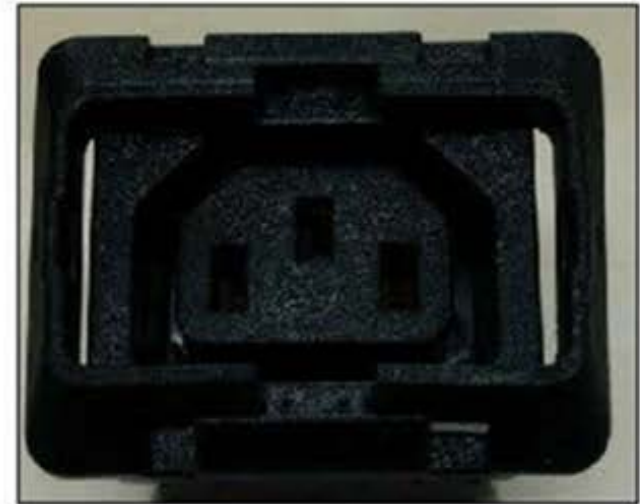
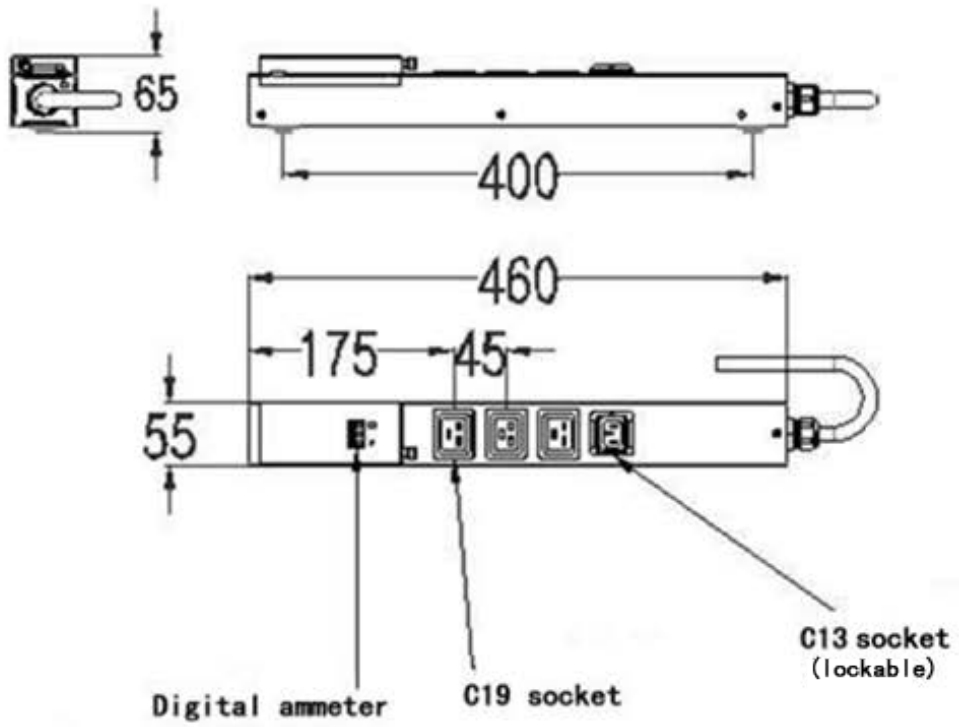


PDU Datasheet

Date: 2015-11-19

Number:

Customer		N/A		RoHS		Yes	
Product name		Rack PDU		Model No.		SQ4(1E3e)1F9DB3	
Product No.		99080401		Drawing No.		N/A	
No	Item	Basic Description					
1	Product Series	Monitor					
2	Receptacle Type	outputs-IEC 60320-C13 (Lockable) . outputs-IEC 60320-C19					
3	Outlets	One outlet-IEC 60320-C13 (Lockable) ; three outlets-IEC 60320-C19					
4	Input	IEC 60309 & Cable					
5	Installation	Vertical					
6	Input plug	IEC60309 IP4432A/230V AC 2P+E industrial connector					
7	Monitor module	LED current display ;Current overload alarm; Hot plug					
8	Protect module	N					
9	Housing color	Yellow					
10	Specifications of input cable	3*4mm2 ZA RVV -3m long cable(black)					
11	Product dimension	Length x width x high =460 x 55 x 65 mm					
12	Mounting hole center distance	400mm					
13	Housing length	460mm					
14	Accessories	Female IEC60309					
15	Product marking	Product name		Rack PDU			
		Model		SQ4(1E3e)1F9DB3			
		Rated voltage		240V DC			
		Rated current		25A			
		MAX current		25A			
		MAX power					
		Safety					
		LOGO					
Maker		SQ-ELECTRONICS					
Design:		CustomerConfirmation:		Check:		Ratify:	



(lockable)